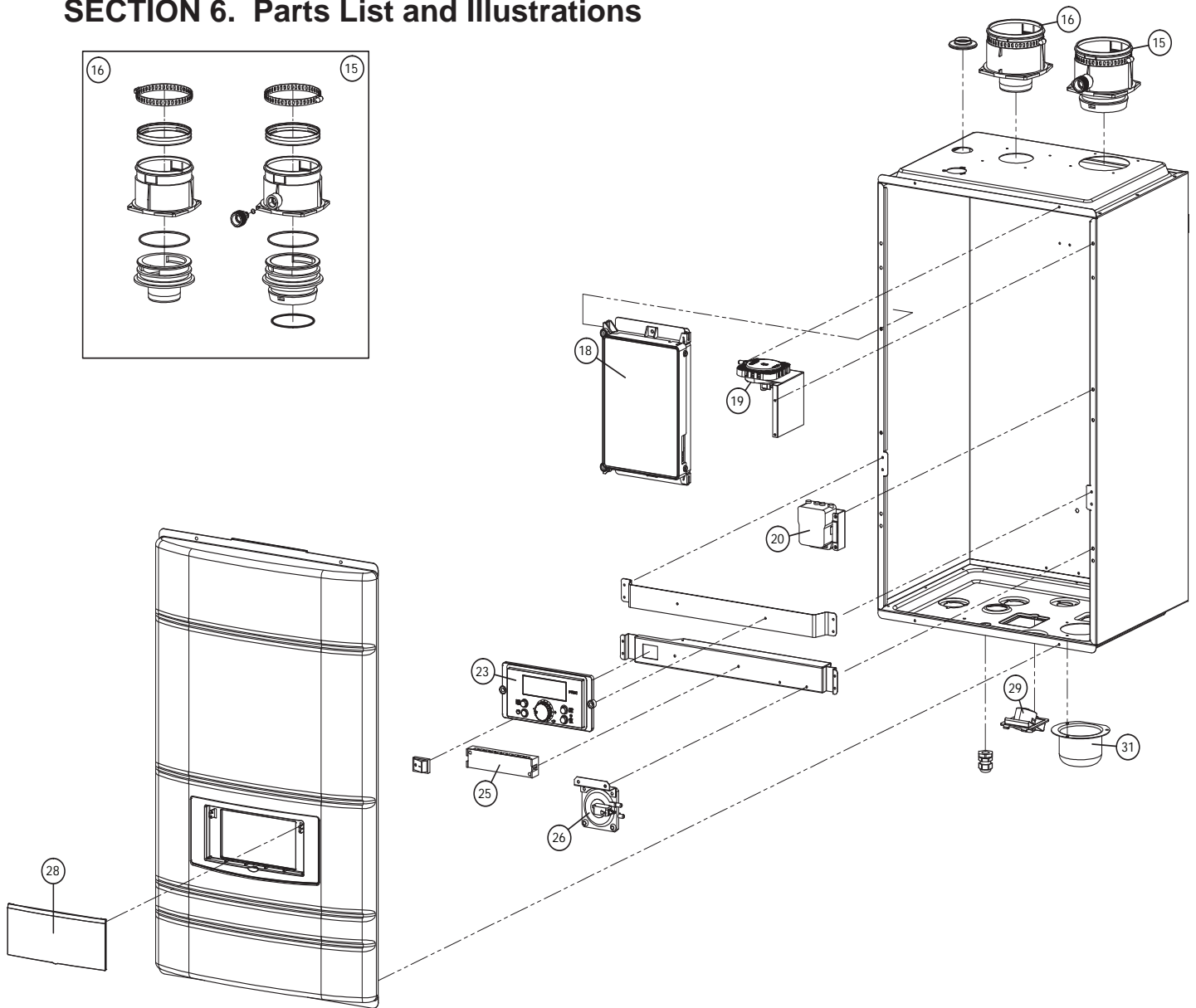


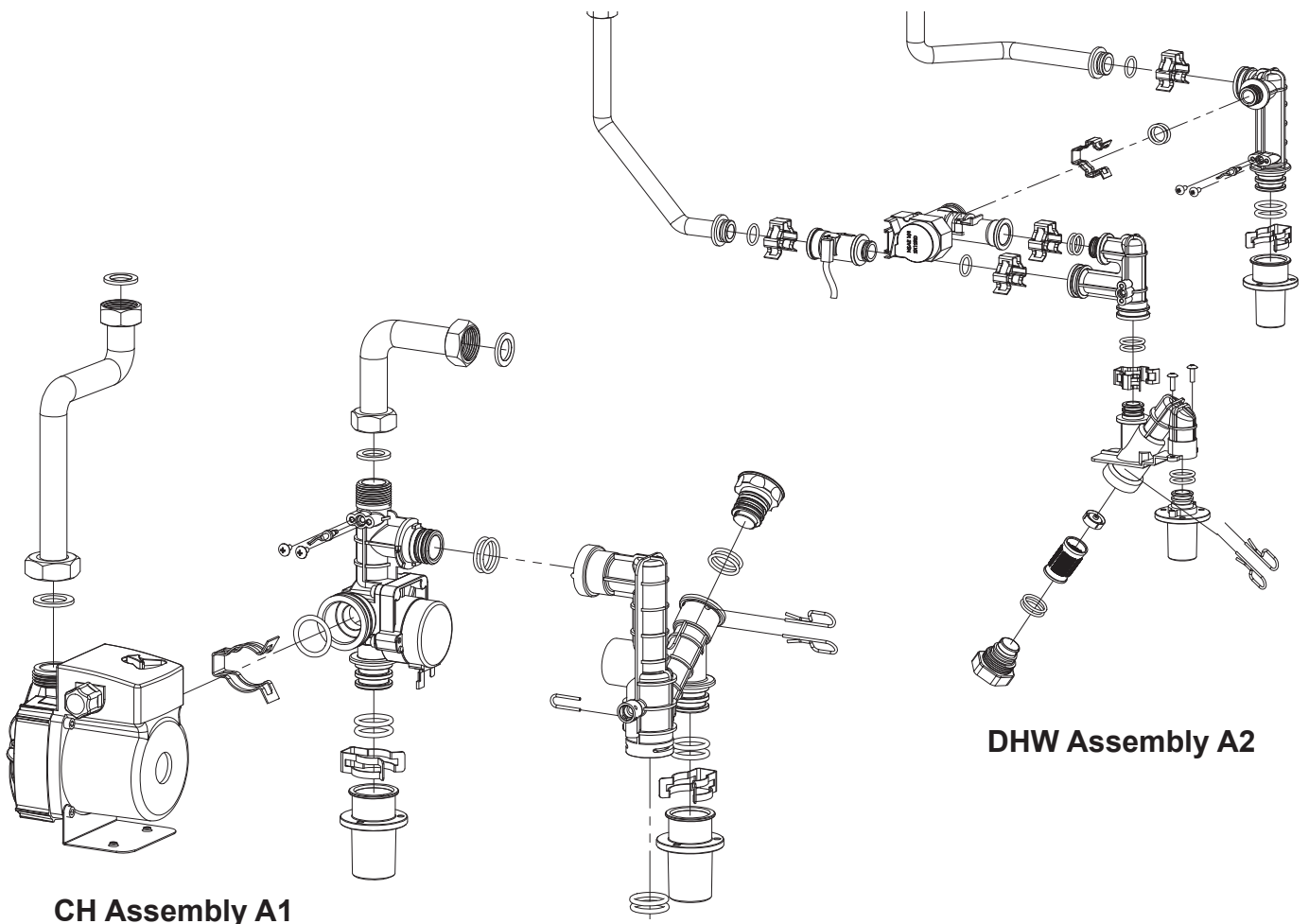
**SECTION 6. Parts List and Illustrations**



IOM Ref	Part Number	Description
15	FT1002	Exhaust Duct Ass'y
16	FT1010	Air Intake Duct Ass'y
18	FT1014	Control
19	FT1015	Air pressure switch
20	FT1016	Ignition transformer
23	FT1019	Display Panel
25	FT1021	Terminal Block
26	FT1022	Condensate Block APS
28	FT1024	Display cover window
29	FT1025	Pressure gauge
31	FT1027	Condensate trap cover

**Description** Common assemblies will use drawing # of size first created

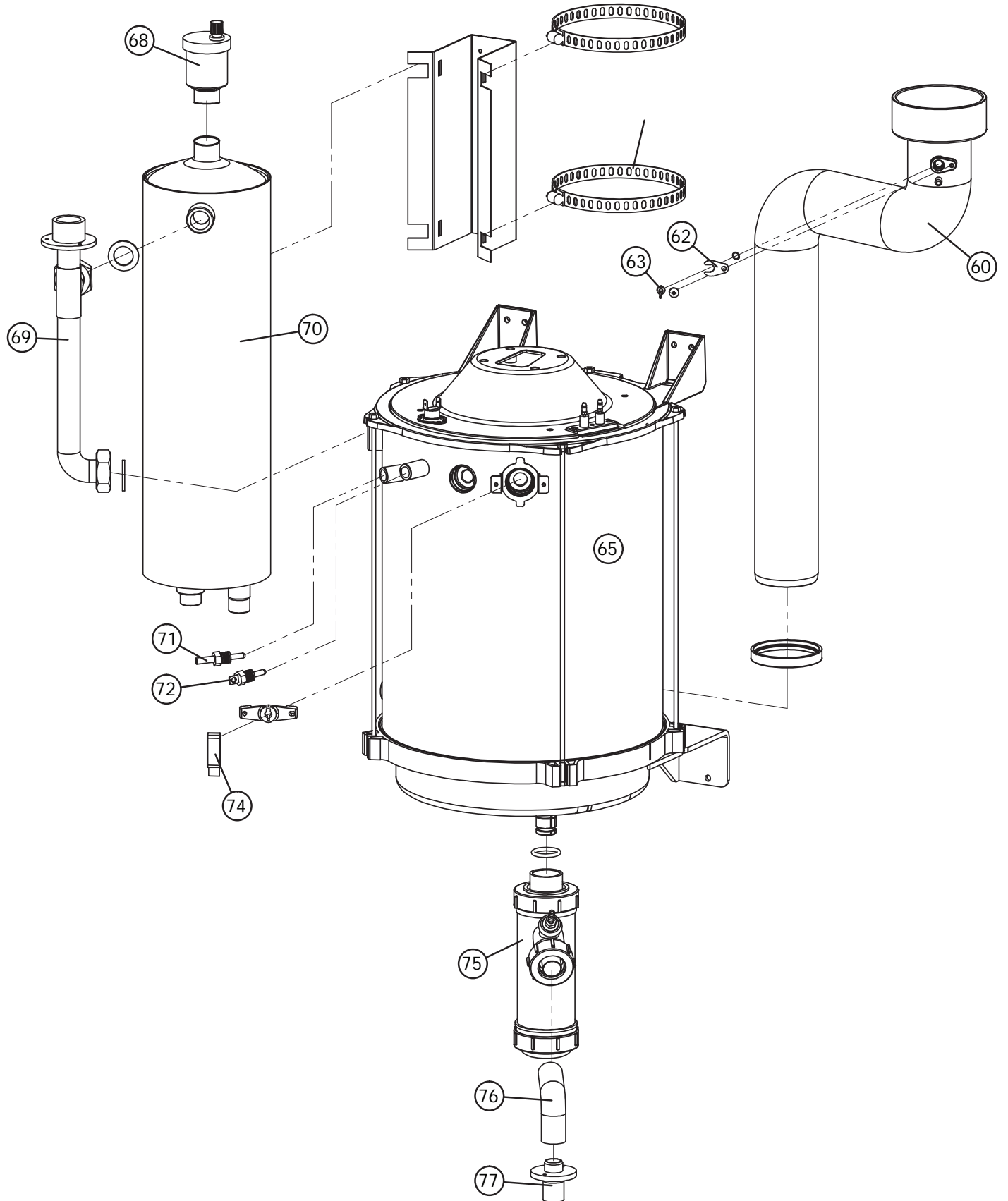
IOM Ref	Part Number	Description
A1	FT1100	CH Hydro block Ass'y
33	FT1109	DHW Outlet Pipe
35	FT1111	DHW nipple
36	FT1112	Outlet sensor
38	FT1114	DHW Inlet Pipe
39	FT1115	Flow sensor
40	FT1116	Mixing valve
43	FT1119	Flow Restrictor
44	FT1120	DHW filter mash
45	FT1121	DHW filter Cap
47	FT1122	DHW connector
A2	FT1200	DHW hydro Block Ass'y
55	FT1218	CH return pipe
56	FT1219	CH return sensor
57	FT1220	3way valve
58	FT1221	CH supply pipe
59	FT1222	Pump



**CH Assembly A1**

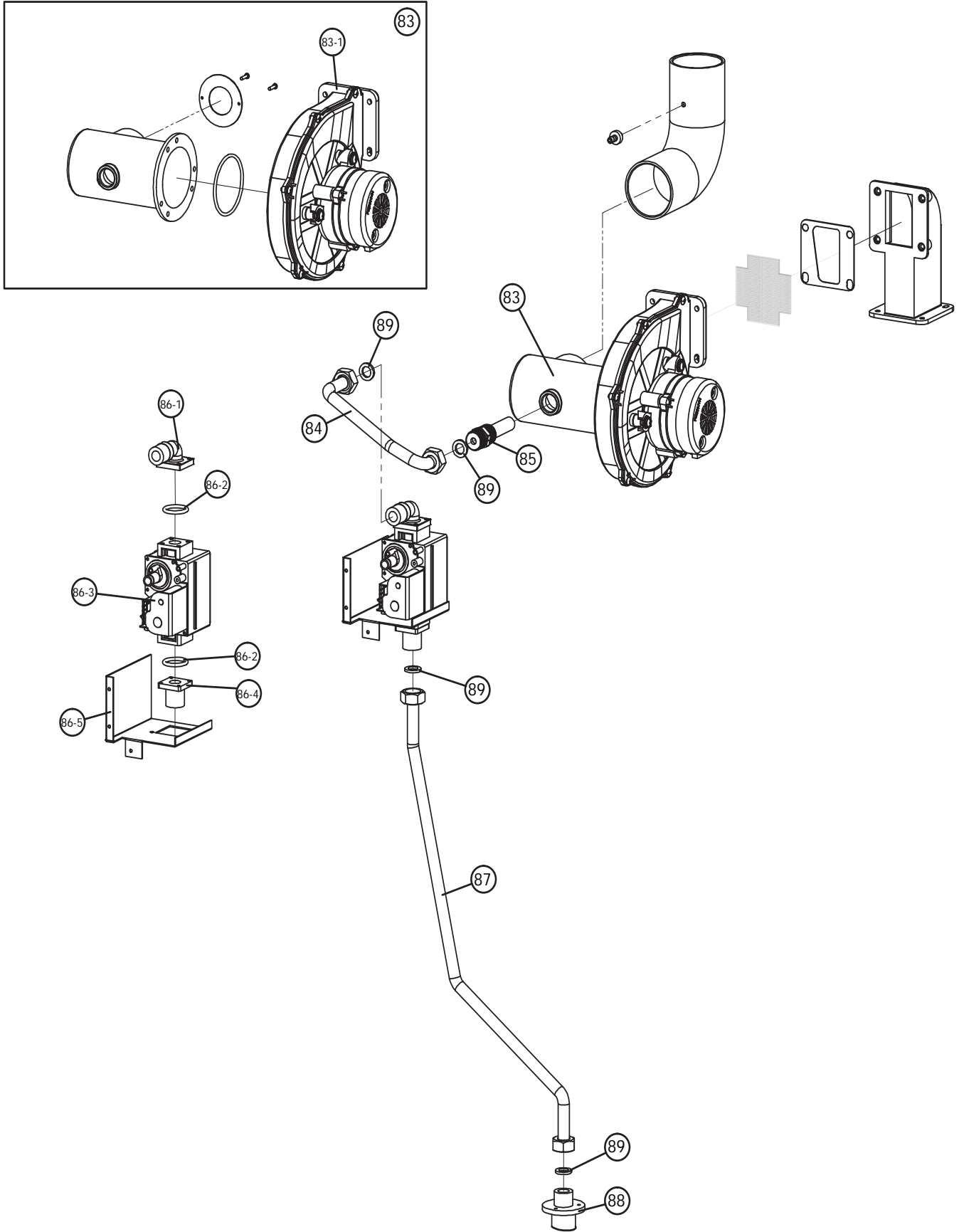
**DHW Assembly A2**

### Heat Exchanger & Tank



IOM Ref	Part Number	Description <small>Common assemblies will use drawing # of size first created</small>
60	FT1304	Exhaust Pipe
62	FT1306	Exhaust sensor BK
63	FT1307	Exhaust overheat sensor
65	FT1309	Heat Exchanger Ass'y
65_1	FT1310	Overheat sensor
65_4	FT1313	Burner
65_6	FT1315	Igniter
65_7	FT1316	Burner gasket
68	FT1321	Air vent
69	FT1322	CH supply upper pipe
70	FT1323	DHW tank
71	FT1324	Temperature sensor
72	FT1325	Low level sensor
74	FT1327	Flame detector sensor
75	FT1328	Condensate trap
76	FT1329	Condensate trap hose
77	FT1330	Condensate trap connector

**Blower and Gas Valve**



<b>IOM Ref</b>	<b>Part Number</b>	<b>Description</b> Common assemblies will use drawing # of size first created
83	FT1405	Fan Ass'y
83_1	FT1406	Fan
86_1	FT1414	Gas valve outlet adaptor
86_2	FT1415	Gas valve O-Ring
86_3	FT1416	Gas valve
86_4	FT1417	Gas valve inlet adaptor
86_5	FT1418	Gas valve BK
87	FT1419	Gas pipe (down)
88	FT1420	Gas inlet adaptor
89	FT1421	Packing

OPTIONAL ITEMS

90	FT1500	Pressure Relief Valve
91	FT1501	Outdoor Temp. Sensor
92	FT1502	Bird Screen 3"
93	FT1503	Gas Reducing Coupling
94	FT1504	Spare Parts Kit
95	FT1505	Condensate Hose
96	FT1506	Restrictor(5L)
97	FT1507	Wall Hung Bracket
98	FT1508	Bird Screen 2"
99	FT1509	Heat Exchanger Long Bolt
100	FT1510	LPG Gas Nozzle 4.85mm

